

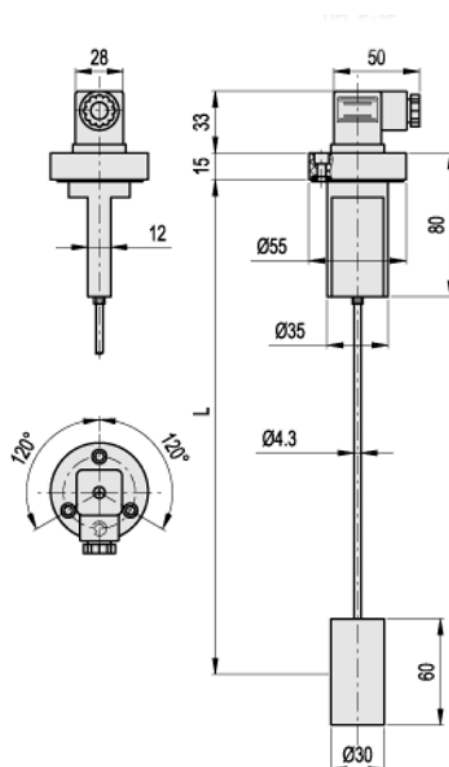
Data Sheet



Article number: 231111281

Description: E+G Level indicator / flange
HFL-E+3F-NO+a L=500 mm

Measures



Electric Contact = NO Normally open

L = 500

Note = Table for cutting dipstick: See data-sheet under Documents

Voltage = 230VDC 230VAC 3A 60W 60VA

Weight (g) = 135